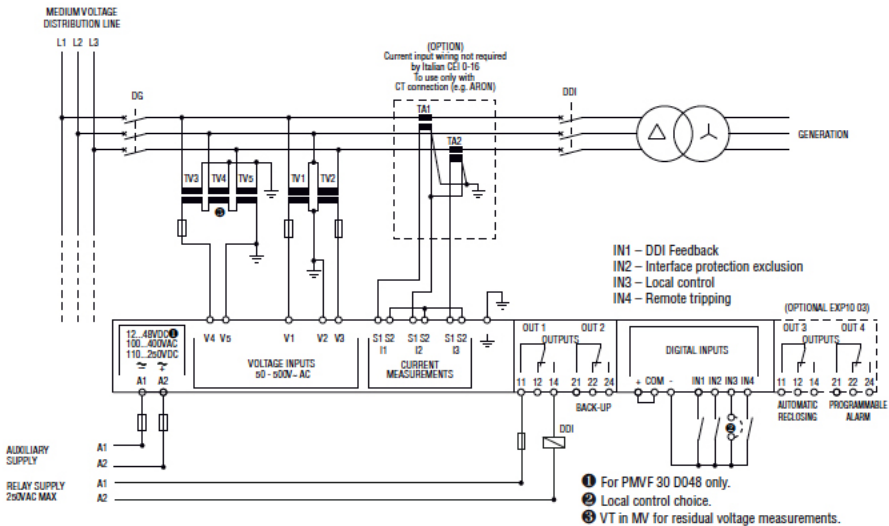


Connection with VTs in Medium Voltage Three-phase connection



Direct connection in Low Voltage Three-phase connection

